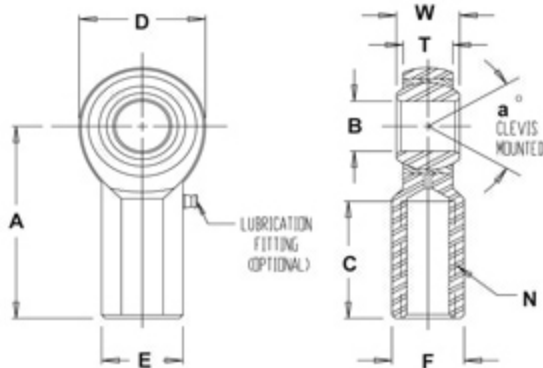


JFX / JFXL 3-PIECE, PRECISION - HIGH STRENGTH ALLOY / PTFE LINERS AVAILABLE

MATERIALS

BALL	BODY	RACE
52100 STEEL	STEEL ALLOY, HEAT TREATED	STEEL ALLOY, HEAT TREATED
Rc 56 MIN. HARD	ZINC PLATED	ZINC PLATED
HARD CHROME PLATED	CHROMATE TREATED	CHROMATE TREATED

FEMALE ROD ENDS		B DIA.	D DIA.	W WIDTH	T WIDTH	BALL DIA.	A LGTH	N THREAD	C LGTH	E DIA.	F FLAT	a° MIS ANG.	ULT. STATIC RADIAL LOAD (lbs.)	APPROX. WEIGHT (lbs.)
RIGHT HAND PART NUMBER	LEFT HAND PART NUMBER	+0.0015 -0.0005	+0.010 -0.010	+0.000 -0.005	+0.005 -0.005	REF.	+0.015 -0.015	UNF 2B	+0.062 -0.031	+0.010 -0.010	+0.010 -0.010	REF.		
JFX3	JFXL3	.1900	.625	.312	.250	.437	1.062	10-32	.562	.406	.312	13	3,736	.04
JFX4	JFXL4	.2500	.750	.375	.281	.500	1.312	1/4-28	.750	.469	.375	16	6,195	.06
JFX5	JFXL5	.3125	.875	.437	.344	.625	1.375	5/16-24	.750	.500	.437	14	7,640	.09
JFX6	JFXL6	.3750	1.000	.500	.406	.719	1.625	3/8-24	.937	.687	.562	12	9,550	.15
JFX7	JFXL7	.4375	1.125	.562	.437	.812	1.812	7/16-20	1.062	.750	.625	14	10,290	.20
JFX8	JFXL8	.5000	1.312	.625	.500	.937	2.125	1/2-20	1.187	.875	.750	12	15,340	.33
JFX10	JFXL10	.6250	1.500	.750	.562	1.125	2.500	5/8-18	1.500	1.000	.875	16	17,959	.48
JFX12	JFXL12	.7500	1.750	.875	.687	1.312	2.875	3/4-16	1.750	1.125	1.000	14	28,090	.72
JFX14	JFXL14	.8750	2.000	.875	.770	1.375	3.375	7/8-14	1.875	1.300	1.125	7	45,051	1.03
JFX16**	JFXL16**	1.0000	2.750	1.375	1.000	1.875	4.125	1 1/4-12	2.125	1.625	1.500	17	76,205	2.125
JFX16-1**	JFXL16-1**	1.0000	2.750	1.375	1.000	1.875	4.125	1-14	2.125	1.625	1.500	17	76,205	2.125
JFX24-1**	JFXL24-1**	1.5000	3.500	1.312	1.125	2.155	5.375	1 1/2-12	2.625	2.250	2.000	6.5	138,800	6.50

**** TOLERANCE VARIATION: "D", "A" ARE +/- .020**
NOTES:

FOR GREASE FITTINGS ADD "Z" TO SUFFIX. EXAMPLE: JFX6Z

FOR STUDS ADD "Y" TO SUFFIX. EXAMPLE: JFX5Y

FOR PTFE LINER ADD "T" TO SUFFIX. EXAMPLE: JFX12T